



General Features:

- Standard din rail mount temperature controller
- TC input(K,E,J,T,S,R,B,N,Wu3_Re25)
- PID control mode, RUN/STOP function on both loops
- **RS-485 modbus RTU communication as standard feature**
- External handheld configuration device available
- 0.2%FS measuring accuracy, maximum 0.1 resolution
- Auto-tuning for both loops.
- User friendly and easy to install and uninstall

**Dual loop Two separate inputs !!
Two separate outputs !!**

Technical Specifications

Ordering Information

DR02B-65x
1 2 3 4 5

1:Control mode

| | |
|---|--------------------------------------|
| N | Without PID control |
| F | PID reverse control(heating control) |

2:Default input sensor type and range selection

| | | | | |
|-----|----------|----------------|---|----|
| KB3 | K | 0 to 1300 °C | K | B3 |
| EA6 | E | 0 to 600 °C | E | A6 |
| JA8 | J | 0 to 800 °C | J | A8 |
| TA4 | T | 0 to 400 °C | T | A4 |
| SB6 | S | 0 to 1600 °C | S | B6 |
| RB7 | R | 0 to 1700 °C | R | B7 |
| BB8 | B | 200 to 1800 °C | B | B8 |
| NB3 | N | 0 to 1300 °C | N | B3 |
| WB0 | Wu3_Re25 | 600 to 2000 °C | W | B0 |

3:Output 1[OP1] for #1 loop

| | |
|---|------------------|
| N | Without output |
| M | Relay output |
| V | SSR Drive output |
| T | Triac output |

4:Output 2[OP2] for #2 loop

| | |
|---|------------------|
| N | Without output |
| M | Relay output |
| V | SSR Drive output |
| T | Triac output |

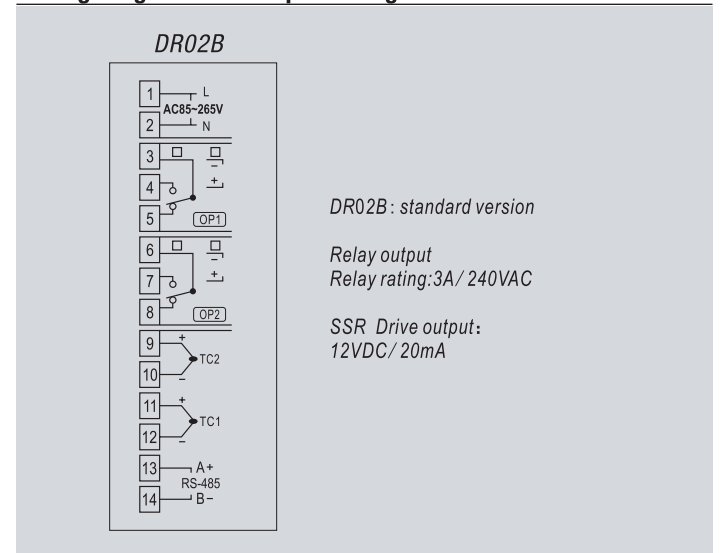
5:Communication features

| | |
|---|-----------------------|
| N | Without communication |
| 5 | RS-485 communication |

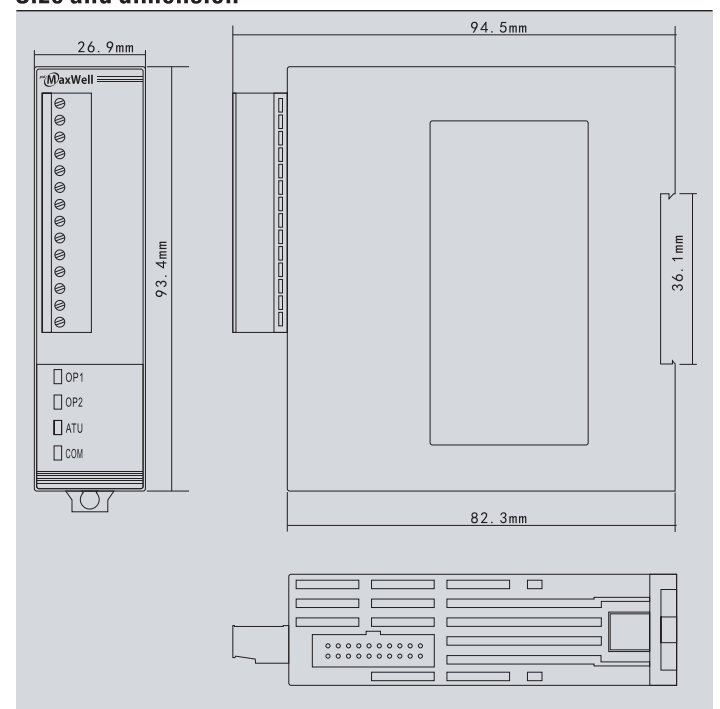
DR02B-F-KB3-M-M-5: DR02B series din rail mount temperature controller
 PID reverser control(for heating)
 Factory default input is K type sensor
 Range is B3: 0~1300 celcius
 Output 1 for #1 loop is Relay
 Output 2 for #2 loop is Relay
 With RS-485 modbus RTU communication feature

Remark: This dual loop controller works with thermocouple only, and the input is configurable, the choice you made is only for factory default purpose you can change to other sensor later via external programming device or from HMI etc.

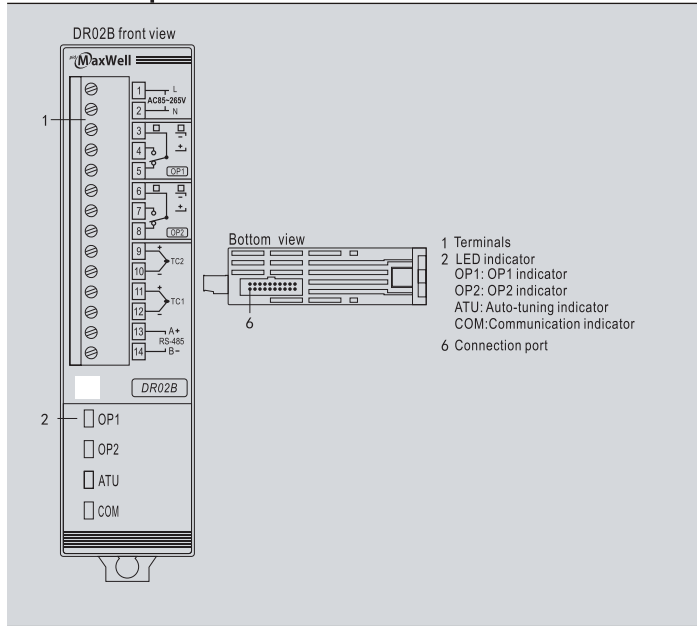
Wiring diagram and output ratings



Size and dimension

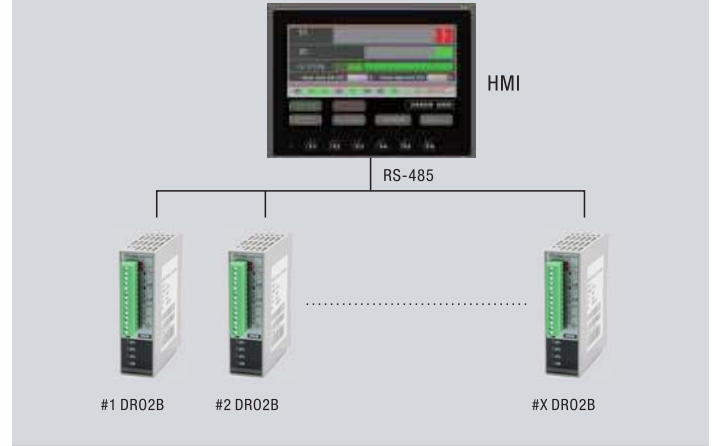


Panel description



Typical application

In a system where you have multiple temperature controllers, all controllers can be integrated into the HMI, hence improve the user experience with the system. Most of the HMI out there has features like temperature record and event record function, which works perfectly with temperature controller, in this system, the HMI will be master device and RS-485 controller will be slave device.



External handheld configuration device

HTS-MA01B configuration board, this configuration board has to be purchased separately

