




General Features:

- Universal input, support RTD:Pt100, Cu50, Cu100
Thermocouple:K,J,E,T,S,R,B,N,
PT1000 and WRe, these two inputs needs to be custom made
- **2 wires 0-10Vdc output(TT-500)**
- Input configurable via **PC software** and **android smart phone**
- Built-in cold junction compensation
- Can be installed in Form B connection box
- High accuracy, 0.1% for RTD, 0.2% for TC
- USB cable for configuration purpose can draw power from PC directly
separate 24VDC power source is no need
- Surge protection, reverse connection protection

 The configuration can be done via software from PC or from android smart phone

Ordering Information

TT-500 --- 0-10Vdc output(programmable via PC or android smart phone)

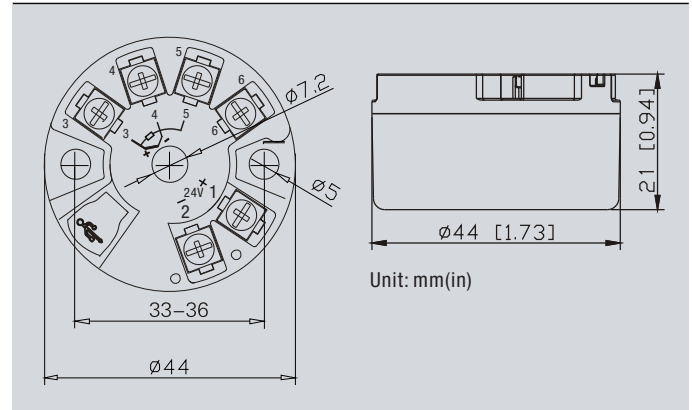
General Specifications

Item No	TT-500
Sensor type	PT100,Cu50,Cu100,K,J,E,T,S,R,B,N <i>PT1000 and WRe, these two inputs needs to be custom made, standard unit does not works with them</i>
Cold end junction compensate range	-40°C~ + 80°C
Compensate accuracy	±1°C
Output	0-10VDC
Load resistance	≤500Ω
Excitation current	0.2mA
Consumption	0.24W(24V/10mA)
Power supply	12-35VDC
Accuracy(ambient 20°C)	0.1% F.S for RTD, 0.2% F.S for TC
Temperature drift	25ppm/°C F.S
Response time	1ms to 90% of maximum output
Input/output isolation strength	Non-isolation
Input/output impedence	Non-isolation
EMC standard	IEC 61326-1
Working temperature	-30~+80°C
Mounting screw	M4*2

Input signal and range

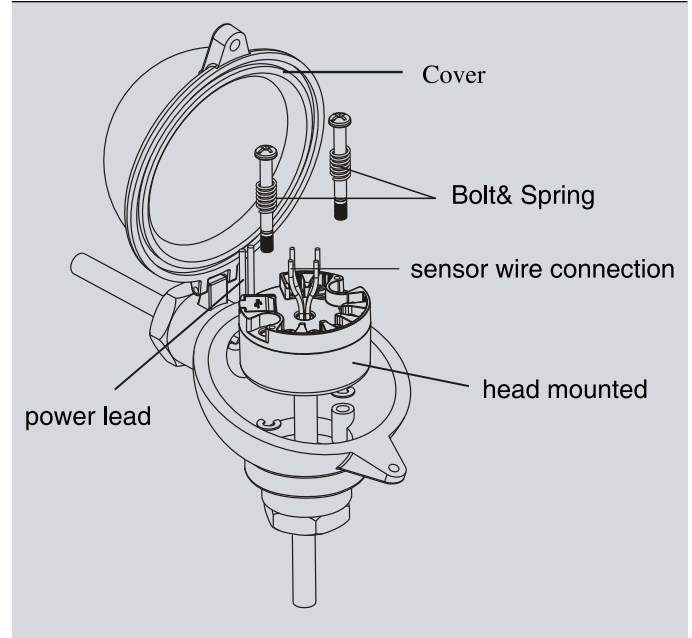
Sensor type	Specific sensor type	Measuring range	Minimum measuring range
RTD	Pt100	-200.0~850.0°C	10°C
	Cu50	-50.0~150.0°C	10°C
	Cu100	-50.0~150.0°C	10°C
TC	B	400~1800°C	500°C
	E	-100~1000°C	50°C
	J	-100~1200°C	50°C
	K	-180~1372°C	50°C
	N	-180~1300°C	50°C
	R	-50~1760°C	500°C
	S	-50~1760°C	500°C
	T	-200~400°C	50°C
	Need to be custom made	Wre3-25	0~2315°C
Wre5-26		0~2310°C	500°C
Pt1000		-200.0~850.0°C	10°C

Dimension

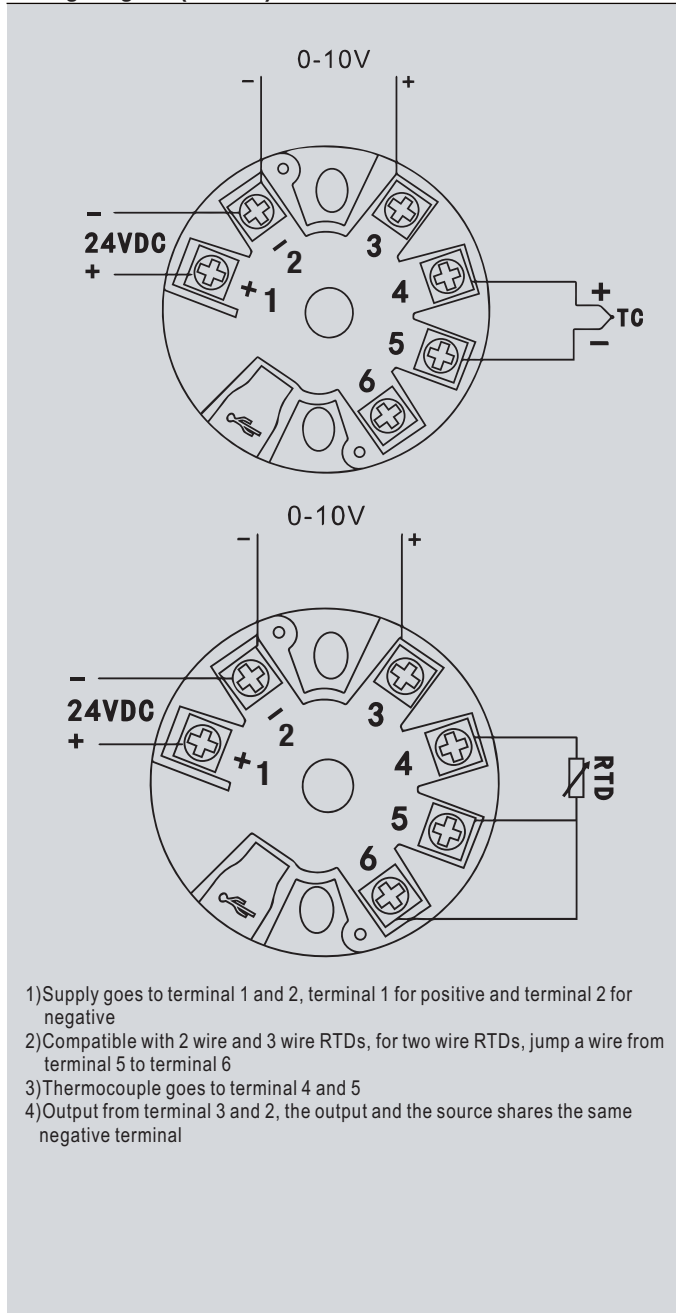


Technical Specifications

Installation guide



Wiring diagram(TT-500)

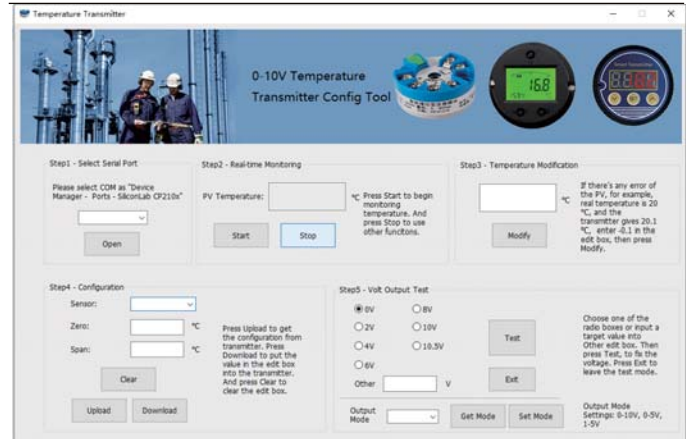


Configuration guidelines

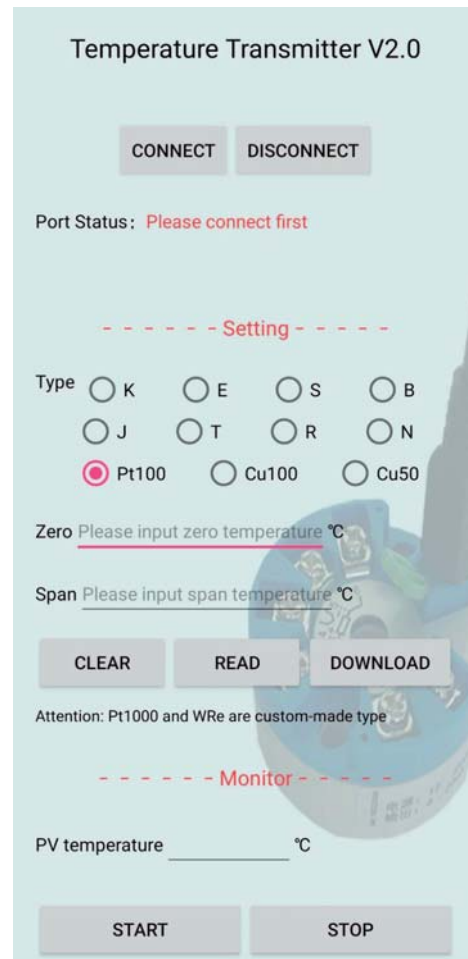
The configuration can be done via PC and android smart phone.



Connect the transmitter with PC using the programming cable provide by PIDMaxwell, please noted that this is a custom made programming cable, do not use other cable otherwise the transmitter will be damaged. Please goes to our website and check our video tutorial on how to use our PC configuration software



PC configuration software interface



Android OS system configuration software interface